

# CONTROL SYNTHESIZER

# S80

# PARTS LIST


## CONTENTS

OVERALL ASSEMBLY .....	2
CONTROL PANEL ASSEMBLY .....	4
WHEEL ASSEMBLY .....	5
KEYBOARD UNIT .....	6
POWER SUPPLY ASSEMBLY .....	8
ELECTRICAL PARTS .....	9

## Notes : DESTINATION ABBREVIATIONS

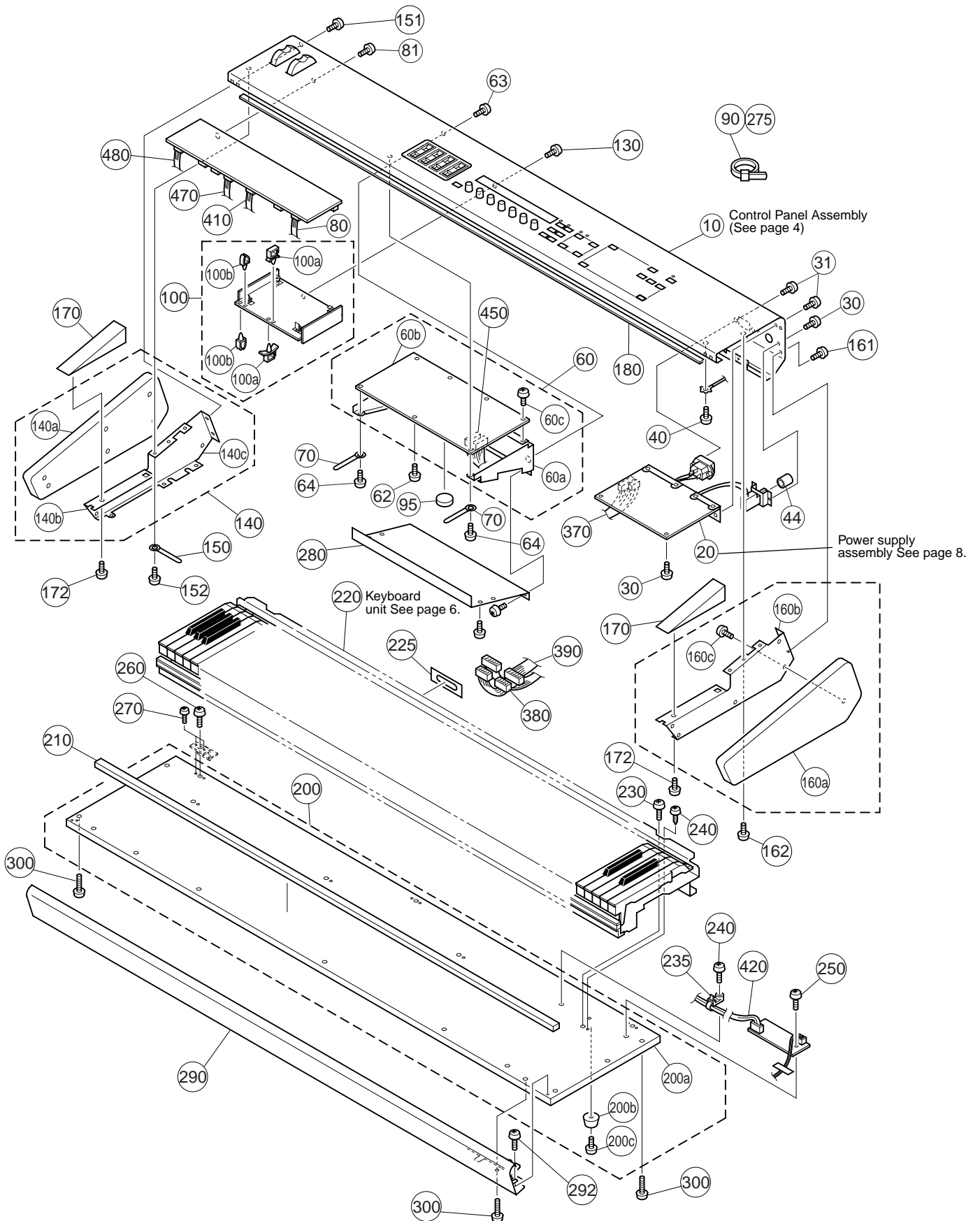
A : Australian model	M : South African model
B : British model	O : Chinese model
C : Canadian model	Q : South-east Asia model
D : German model	T : Taiwan model
E : European model	U : U.S.A. model
F : French model	V : General export model (110V)
H : North European model	W : General export model (220)
I : Indonesian model	N,X : General export model
J : Japanese model	Y : Export model

## ■ WARNING

Components having special characteristics are marked  and must be replaced with parts having specification equal to those originally installed.

- The numbers "QTY" show quantities for each unit.
- The parts with "--" in "PART NO." are not available as spare parts.
- This mark "}" in the REMARKS column means these parts are interchangeable.
- The second letter of the shaded (■) part number is O, not zero.
- The second letter of the shaded (■) part number is I, not one.

# OVERALL ASSEMBLY



REF NO.	PART NO.	DESCRIPTION	REMARKS	QTY	RANK
	--	OVERALL ASSEMBLY	S80 J,U,E,B		
	--	Overall Assembly	J (V418590)		
	--	Overall Assembly	U (V418600)		
	--	Overall Assembly	E,B (V418610)		
10	--	Control Panel Assembly	(V419070)		
20	--	Power Supply Assembly	J,U (V418620)		
20	--	Power Supply Assembly	E,B (V418630)		
30	EP600230	Bind Head Tapping Screw-B	3.0X6 MFZN2BL	4	01
31	VQ049800	Bonding Tapping Screw-B	3.0X10 MFZN2BL	7	01
40	EG340190	Bind Head Tapping Screw-B	4.0X8 MFZN2BL		01
41	CB069250	Cord Holder	BK-1		01
44	CB825380	Push Button			03
52	EP600230	Bind Head Tapping Screw-B	3.0X6 MFZN2BL	2	01
60	--	Circuit Board Assembly	DM (V419160)		
60a	--	DM Shield Plate	(V389070)		
60b	V3576400	Circuit Board	DM		
60c	EP600230	Bind Head Tapping Screw-B	3.0X6 MFZN2BL	4	01
62	EP600230	Bind Head Tapping Screw-B	3.0X6 MFZN2BL	2	01
63	VQ049800	Bonding Tapping Screw-B	3.0X10 MFZN2BL	3	01
64	EP600190	Bind Head Tapping Screw-B	3.0X8 MFZN2BL		01
70	CB829850	Cord Binder	S-34Z	2	03
80	V3577000	Circuit Board	JK		
81	VQ049800	Bonding Tapping Screw-B	3.0X10 MFZN2BL	9	01
90	CB069250	Cord Holder	BK-1	5	01
95	VN103500	Lithium Battery	CR2032		03
100	--	PLG Angle Assembly	(V481450)		
110	CB069250	Cord Holder	BK-1		01
130	EP600230	Bind Head Tapping Screw-B	3.0X6 MFZN2BL	3	01
140	--	Arm Assembly	LEFT (V419080)		
140a	V4062400	Arm	LEFT		
140b	--	Side Angle	1.0 LEFT (V388980)		
140C	EP040230	Bind Head Tapping Screw-1	4.0X14 MFZN2Y	6	01
150	CB502030	Cord Binder	S-75B		03
151	VQ049800	Bonding Tapping Screw-B	3.0X10 MFZN2BL	2	01
152	EP600230	Bind Head Tapping Screw-B	3.0X6 MFZN2BL	3	01
160	--	Arm Assembly	RIGHT (V419090)		
160a	V4062500	Arm	RIGHT		
160b	--	Side Angle	1.0 RIGHT (V388990)		
160C	EP040230	Bind Head Tapping Screw-1	4.0X14 MFZN2Y	6	01
161	VQ049800	Bonding Tapping Screw-B	3.0X10 MFZN2BL	2	01
162	EP600230	Bind Head Tapping Screw-B	3.0X6 MFZN2BL	3	01
170	V4165300	End Block		2	05
172	EP600190	Bind Head Tapping Screw-B	3.0X8 MFZN2BL	2	01
180	V4063000	Felt	5X1128X1 RE		03
200	V4191000	Bottom Assembly			15
200a	--	Bottom Board	(V406450)		
200b	VR707800	Foot	K3019	5	02
200c	EG340410	Bind Head Screw-1	4.0X20 MFZN2Y	5	01
210	VK020200	Cushion	88KEY		06
215	--	Flat Cable Clamp	LFC-30N (V439780)	2	
220	VQ996900	Keyboard Unit	A88 K6		58
225	--	Edge Prevention Sheet	(V442950)		
227	CB836190	Clamp	CKN-10	2	
230	EG340210	Bind Head Screw	4.0X14 MFZN2Y	4	01
235	--	Cord Holder	T30MR (VQ40440)	2	
237	--	Contact	0.2 (V481430)	8	
240	EP030240	Bind Head Tapping Screw-1	3.5X12 MFZN2Y	6	01
242	VD278600	Bind Head Tapping Screw-1	3.5X8 MFZN2Y	6	01
250	EG330360	Bind Head Screw	3.0X6 MFZN2BL	2	01
260	EG340210	Bind Head Screw	4.0X14 MFZN2Y	3	01
270	EP030240	Bind Head Tapping Screw-1	3.5X12 MFZN2Y	6	01
275	CB069250	Cord Holder	BK-1	4	01
276	--	Reuse Band	RSG-100 (V474980)		
280	--	DM Shield Cover	(V389080)		
282	EP600230	Bind Head Tapping Screw-B	3.0X6 MFZN2BL	23	01
285	--	Shield Angle	0.8 (V481480)		
287	--	Contact	0.2 (VH46750)	3	
290	V4165800	Front Rail			
292	EP030240	Bind Head Tapping Screw-1	3.5X12 MFZN2Y	2	01
295	--	Toothed Lock Washer	5.0 MFZN2BL (0376710)	5	

\*: New Parts

RANK: Japan only

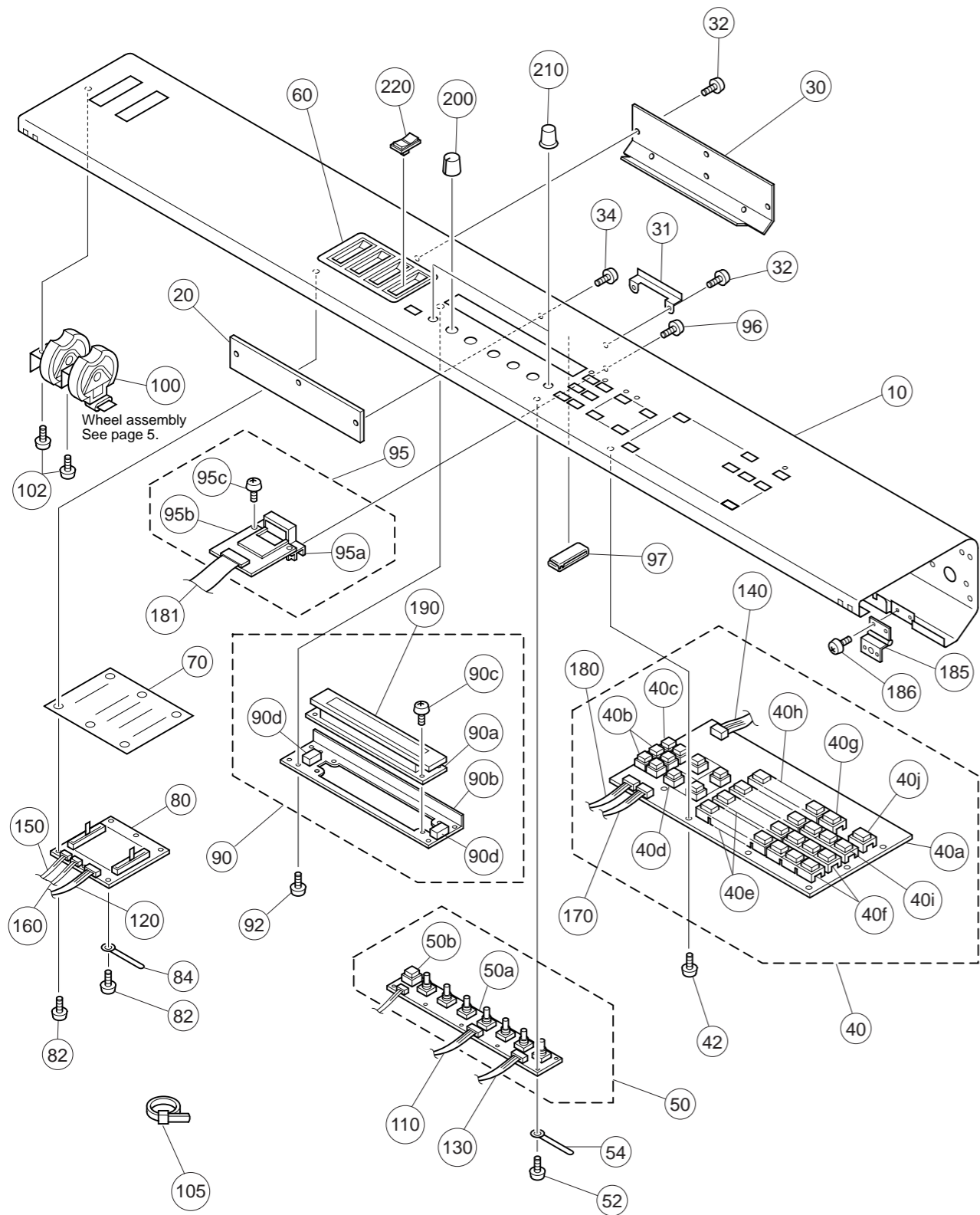
REF NO.	PART NO.	DESCRIPTION	REMARKS	QTY	RANK
300	VB857600	Bind Head Screw	5.0X20 MFZN2BL	13	01
370	--	Connector Assembly	11P 1450L PS (V478850)		
380	--	Connector Assembly	MK2 (VC53350)		
390	--	Connector Assembly	MK1 (VC53340)		
400	--	Connector Assembly	KRD 9P+15P (V491530)		
420	--	Connector Assembly	4P-8P 1350L AFTER (V381310)		
450	--	Connector Assembly	15P 400L PULG (V478870)		
470	--	Connector Assembly	5P 500L(S) DM-IND (V446230)		
480	--	Connector Assembly	4P 350L(S) DM-JK (V417620)		
		ACCESSORIES			
	VT119800	AC Cord	J 7A 125V 3P 2.5M		06
	VB927800	AC Cord	CSA		08
	VB928000	AC Cord	VDE		08
	VP204400	AC Cord	BS		10
	VQ240200	Adapter, AC Cord	KPR-24		06
	--	CD-ROM	74min. 12cm (XW444B00)		

⚠  
⚠  
⚠  
⚠  
⚠  
\*

\*: New Parts

RANK: Japan only

# CONTROL PANEL ASSEMBLY

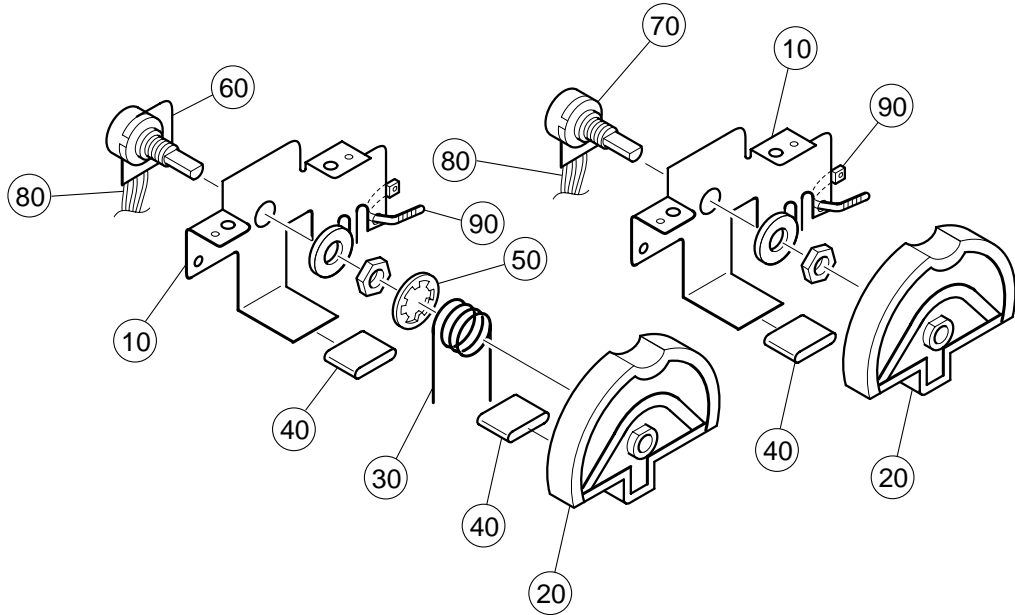


REF NO.	PART NO.	DESCRIPTION		REMARKS	QTY	RANK
		CONTROL PANEL ASSEMBLY		S80		
		Control Panel Assembly		(V419070)		
*	10	V4165700	Control Panel			
	20	--	Cover (B)	(V419540)		
	30	--	PLG Cover	(V416590)		
	31	--	AS Angle, Bracket	(V388320)		
	32	EP630210	Bind Head Tapping Screw-S	3.0X6 MFZN2BL	2	01
*	33	V4810700	Coin Screw	3.0X6	3	
	34	VS863000	Flat Head Screw	3.0X6 MFZN2BL	3	01
	40	--	Circuit Board Assembly	PN		(V419120)
*	40a	V3576600	Circuit Board	PN		
*	40b	V4162900	Push Button	M2G	2	
*	40c	V4162700	Push Button	M2B	9	
*	40d	V4162600	Push Button	M1B		
	40e	VY864900	Switch Knob	L5B		
	40f	VY865000	Switch Knob	L3B	3	03
	40g	VY865200	Switch Knob	L1B	2	03
	40h	VY864300	Switch Knob	L5G		03
*	40i	V4195300	Switch Knob	L3G		
	40j	VY864700	Switch Knob	L1G		03
	42	EP600230	Bind Head Tapping Screw-B	3.0X6 MFZN2BL	12	01
	45	VP064300	Cord Holder	LWS-IS		03
	50	--	Circuit Board Assembly	RV		(V419130)
*	50a	V3576700	Circuit Board	RV		
*	50b	V4162800	Push Button	M1G		SHIFT
	52	EP600230	Bind Head Tapping Screw-B	3.0X6 MFZN2BL	10	01
	54	CB829850	Cord Binder	S-34Z	2	03
*	60	V3890600	Escutcheon, SVR			
	70	--	Dust Proof Cloth			(V406290)
*	80	V3576900	Circuit Board	SV		
	82	EP600230	Bind Head Tapping Screw-B	3.0X6 MFZN2BL	6	01
	84	CB829850	Cord Binder	S-34Z	3	03
	90	--	Display Assembly			(V418580)
*	90a	V4195900	LCD Assembly			
	90b	--	LCD Support Angle			(V388390)
	90c	EP600230	Bind Head Tapping Screw-B	3.0X6 MFZN2BL	3	01
	90d	--	LCD Spacer		2	(V419800)
	91	--	Shield Bracket	0.8		(V480610)
	92	EP600230	Bind Head Tapping Screw-B	3.0X6 MFZN2BL	4	01
	95	--	Smart Media Assembly			(V409770)
*	95a	V3882500	SM Escutcheon	K-CB		
*	95b	V3577200	Circuit Board	SM		
	95c	EP600190	Bind Head Tapping Screw-B	3.0X8 MFZN2BL	2	01
	96	EP600190	Bind Head Tapping Screw-B	3.0X8 MFZN2BL	2	01
	97	--	Flat Cable Clamp	LFC-30N	2	(V439780)
	100	--	Wheel Assembly			(V419140)
	102	EP600230	Bind Head Tapping Screw-B	3.0X6 MFZN2BL	4	01
	105	CB069250	Cord Holder	BK-1	3	01
	110	--	Connector Assembly	10P-650 KRD-KRD		(VK11700)
	120	--	Connector Assembly	6P-400 KRD-KRD		(VK10960)
	130	--	Connector Assembly	8P-450 KRD-KRD		(VK11110)
	140	--	Connector Assembly	7P-700 KRD-KRD		(VK11820)
	150	--	Connector Assembly	4P 450L(S) DM-MVR		(V434180)
	160	--	Connector Assembly	5P 650L(S) JK-MVR		(V481400)
	170	--	Connector Assembly	5P-800 KRD-KRD		(VK12100)
	180	--	Connector Assembly	3P-300 KRD-KRD		(VK10530)
	181	--	FFC Cable Assembly	P=1.0-L-26-430		(V381380)
*	185	V3891000	Hinge	1.6 1 MFZN2-Y	3	
	186	EP640410	Bind Head Tapping Screw-B	4.0X8 MFZN2Y	6	01
	190	--	LCD Cover			(V406210)
*	200	V3887700	Knob	ENCODER	5	
*	210	V3887900	Knob		2	
*	220	VM780300	Knob		5	03

\*: New Parts

RANK: Japan only

# WHEEL ASSEMBLY

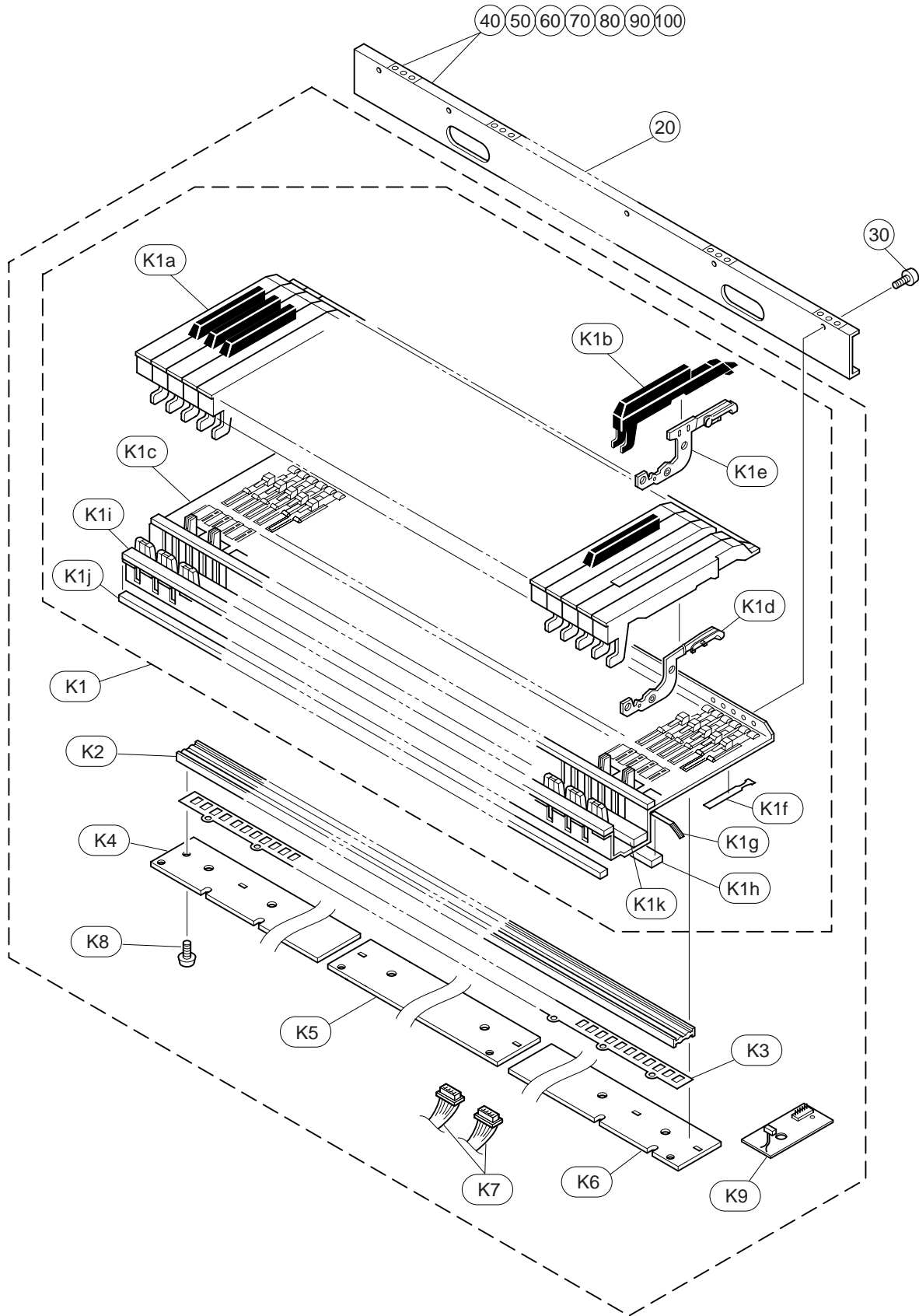


REF NO.	PART NO.	DESCRIPTION		REMARKS	QTY	RANK
		WHEEL ASSEMBLY		S80		
	--	Wheel Assembly		(V419140)		
10	--	Frame, Wheel		(V389030)	2	
*	20	V4579900			2	
	30	VC792800				01
	40	CB819020			2	04
	50	EW600110	12.0			01
	60	VQ764300	RK1631110T54A 10K			03
	70	VN245400	10.0K K161100S			03
	80	--	5P 300L+X WHEEL	(V381300)		
	90	CB069250	BK-1		2	01

\*: New Parts

RANK: Japan only

# KEYBOARD UNIT

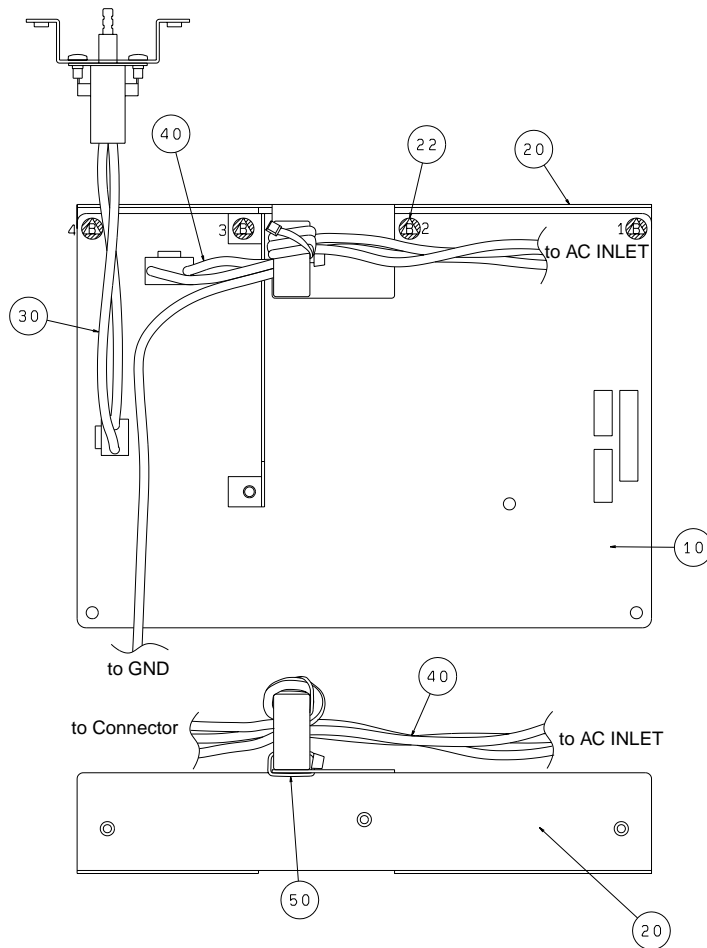


REF NO.	PART NO.	DESCRIPTION		REMARKS	QTY	RANK
		KEYBOARD UNIT		S80		
10	VQ996900	Keyboard Unit	A88 K6			58
	--	Keyboard Assembly	AE2	(VQ99700)		
20	VD526300	Holder, Keyboard	AE2			08
30	VT647800	Bind Head Tapping Screw-C	4.0X6 MFZN2		8	01
40	--	Spacer	T=0.5	(VD48480)		
50	--	Spacer	T=1.0	(VD48490)		
60	--	Spacer	T=0.8	(VD51810)		
70	--	Spacer	T=0.35	(VD51820)		
80	--	Spacer	T=0.25	(VD51830)		
90	--	Spacer	T=1.25	(VF51760)		
100	--	Spacer	T=1.5	(VF51770)		
	--	Keyboard Assembly	AE2	(VQ99700)		
K1	--	MK Frame Assembly	AE 88	(VQ99710)		
K1a	VM890700	White Key	C		7	04
K1a	VM890800	White Key	D		7	04
K1a	VM890900	White Key	E		7	04
K1a	VM891000	White Key	F		7	04
K1a	VM891100	White Key	G		7	04
K1a	VM891200	White Key	A		7	04
K1a	VM891300	White Key	B		8	04
K1a	VM891400	White Key	C'			05
K1a	VM891700	White Key	A'			05
K1b	VM891800	Black Key			36	04
K1c	--	Frame	AE2 A88	(VC50910)		
K1d	VM892400	Hammer Assembly, White Key	AE2		52	05
K1e	VM892500	Hammer Assembly, Black Key	AE2		36	05
K1f	VM958100	Key Spring	AE2		88	03
K1g	VQ988300	PC Sensor	MK-AE88TO-1			19
K1h	--	Cushion		(VI43720)		
K1i	--	Cushion		(VQ98820)		
K1j	--	Felt		(VC98520)		
K1k	--	Felt		(VP28320)		
K2	VN474300	Rubber Contact	BE			11
K3	VC799300	Insulation Spacer				03
K4	VC796500	Circuit Board	AE 88L			09
K5	VC796300	Circuit Board	AE C			10
K6	VC796600	Circuit Board	AE 88H			08
K7	VC815200	Connector Assembly	16P 110 NRD-NRD			06
K8	VT413400	Bind Head Tapping Screw-P	3.0X10 MFZN2		15	01
K9	VR659700	Circuit Board	PC			10

\*: New Parts

RANK: Japan only

# POWER SUPPLY ASSEMBLY



REF NO.	PART NO.	DESCRIPTION		REMARKS	QTY	RANK
	--	POWER SUPPLY ASSEMBLY		S80		
	--	Power Supply Assembly	J	J,U		
	--	Power Supply Assembly	E	E,B		
* 10	V3484100	Power Supply Unit	J,U,C	J,U		
* 10	V3484200	Power Supply Unit	E B A	E,B		
20	--	Holder, Power Switch	1.0	(V389010)		
22	EP600230	Bind Head Tapping Screw-B	3.0X6 MFZN2BL	(V419150)	4	01
30	--	PSW Assembly				
* 30a	VZ068800	Power Switch Assembly	3P 100L PSW	with power switch		
30aa	VP691000	Push Switch	SDDL1			03
30b	EG330360	Bind Head Screw	3.0X6 MFZN2BL		2	01
* 40	V3814200	Connector Assembly	ACIN3P-2F+1	with AC inlet		
40a	VL785200	AC-IN Connector	ACINLET AC-P01CR02			03
50	CB069250	Cord Holder	BK-1		2	01

\*: New Parts

RANK: Japan only



# ELECTRICAL PARTS

REF NO.	PART NO.	DESCRIPTION		REMARKS	QTY	RANK
		ELECTRICAL PARTS				
	VC796500	Circuit Board	AE 88L	(XC264B0)		09
	VC796300	Circuit Board	AE C	(XC262B0)		10
	VC796600	Circuit Board	AE 88H	(XC265B0)		08
*	V3576400	Circuit Board	DM	(XV911B0)		
*	V3577000	Circuit Board	JK	(XV914C0)		
	VR659700	Circuit Board	PC	(XL057A0)		10
*	V3576600	Circuit Board	PN	(XV912B0)		
*	V3576700	Circuit Board	RV	(XV912B0)		
*	V3577200	Circuit Board	SM	(XV915C0)		
*	V3576900	Circuit Board	SV	(XV913B0)		
	VC796500	Circuit Board	AE 88L	(XC264B0)		09
	VT212600	Diode	HSS104TA			01
	LB918160	Base Post Connector	16P TE			01
	LB918120	Base Post Connector	12P TE			02
	--	Dust Proof Cloth		(VD43890)		
	VC796300	Circuit Board	AE C	(XC262B0)		10
	VT212600	Diode	HSS104TA			01
	LB918160	Base Post Connector	16P TE			01
	LB918120	Base Post Connector	12P TE			02
	--	Dust Proof Cloth		(VD43880)		
	VC796600	Circuit Board	AE 88H	(XC265B0)		08
	VT212600	Diode	HSS104TA			01
	LB918160	Base Post Connector	16P TE			01
	--	Dust Proof Cloth		(VD43900)		
*	V3576400	Circuit Board	DM	(XV911B0)		
	BT1	Battery Holder	CR2032			03
	CN1	Base Post Connector	11P TE			01
	CN4	Connector Base Post	15P TE			01
	CN5	Connector Base Post	5P TE			01
	CN6	Connector Base Post	10P TE			01
	CN7	Connector Base Post	6P TE			01
	CN8	Connector Base Post	9P TE			03
	CN11	Connector Base Post	4P TE			01
	CN12	Header, Flat Cable	14P TE			02
	CN13	Connector Base Post	2P TE			01
	CN14	Connector Base Post	8P TE			01
	CN15	Connector Base Post	14P TE			01
	CN16	Connector Base Post	15P TE			01
	CN17	Connector Base Post	7P TE			01
	CN18	Header	HIF3FC26PA-2.54DSA			03
	CN19	Connector Base Post	4P TE			01
	CN20	Connector Base Post	5P TE			01
	CN21	Connector Base Post	8P TE			01
	CN22	Connector	26P TE	(V353210)		
	CN102	Base Post Connector	12P TE			02
	CN103	Base Post Connector	16P TE			01
	D1	Diode	1SS355 TE-17			01
	-6	Diode	1SS355 TE-17			01
	D8	Diode	1SS355 TE-17			01
	-12	Diode	1SS355 TE-17			01
	D14	Diode	1SS355 TE-17			01
	D15	Diode	1SS355 TE-17			01
	D17	Diode	1SS355 TE-17			01
	-19	Diode	1SS355 TE-17			01
	D20	Diode	D1F60			01
	D22	Diode	1SS355 TE-17			01
	-24	Diode	1SS355 TE-17			01
	D41	Diode	1SS355 TE-17			01
	D42	Diode	1SS355 TE-17			01
	D49	Diode	RB501V-40			01
	-51	Diode	RB501V-40			01
	D52	Diode	D1F60			01
	-55	Diode	D1F60			01
	D57	Diode	1SS355 TE-17			01
	-60	Diode	1SS355 TE-17			01

\*: New Parts

RANK: Japan only

REF NO.	PART NO.	DESCRIPTION		REMARKS	QTY	RANK
D61	VS201100	Diode	D1F60			01
D62	VS201100	Diode	D1F60			01
D65	VT332900	Diode	1SS355 TE-17			01
D66	VT332900	Diode	1SS355 TE-17			01
D68	VT332900	Diode	1SS355 TE-17			01
-71	VT332900	Diode	1SS355 TE-17			01
D73	VV220700	Diode	RB501V-40			01
EM1	VD542700	LC Filter	DSS306-93F223Z1			01
-6	VD542700	LC Filter	DSS306-93F223Z1			01
EM8	VD542700	LC Filter	DSS306-93F223Z1			01
-13	VD542700	LC Filter	DSS306-93F223Z1			01
EM15	VD542700	LC Filter	DSS306-93F223Z1			01
-17	VD542700	LC Filter	DSS306-93F223Z1			01
* IC1	XW419400	IC	HD6437045E24F	CPU		
* IC2	XW420300	IC	28F160S5	FLASH ROM1 16M 478V120L		
* IC3	XW421300	IC	28F160S5	FLASH ROM2 16M 478V120H		
IC4	XV976A00	IC	M5M51008CFP-70H	SRAM 1M		07
IC5	XV976A00	IC	M5M51008CFP-70H	SRAM 1M		07
IC6	XV077A00	IC	MSM514260C-60JS	DRAM 4M		07
IC7	XI686A00	IC	M62021FP	SYSTEM RESET		04
IC8	XD657A00	IC	TC74HC14AF-TP1	INVERTER		02
* IC9	XV833A00	IC	MBCG46183-129	GATE ARRAY		
IC10	XM234A00	IC	HD63B01YORCE0F	CPU		08
IC11	XT487A00	IC	TC74VHC245F	TRANSCEIVER		03
IC12	XV103A00	IC	M5M34051FP	LINE TRANSCEIVER		05
IC13	XS790A00	IC	TC74HC4052AF	MPX		02
-16	XS790A00	IC	TC74HC4052AF	MPX		02
IC17	XD657A00	IC	TC74HC14AF-TP1	INVERTER		02
IC18	XP003A00	IC	TC74HC74AF	D-FF		01
IC19	XP003A00	IC	TC74HC74AF	D-FF		01
IC20	XD657A00	IC	TC74HC14AF-TP1	INVERTER		02
IC21	XI348A00	IC	SC7SU04FEL	INVERTER		01
IC22	XD657A00	IC	TC74HC14AF-TP1	INVERTER		02
IC23	XQ138A00	IC	NJM4556AMT1	OP AMP		03
IC26	XS048A00	IC	HD74LVC139FPPEL	DEMULTIPLEXER		03
IC27	XH223A00	IC	SN74HC273NSR	D-FF		01
IC28	XH223A00	IC	SN74HC273NSR	D-FF		01
IC29	XN963A00	IC	TC74VHC32F	OR		01
IC30	XR682A00	IC	TC7S66F	ANALOG SW		01
IC31	XD838A00	IC	SN74HC245NSR	BUFFER		04
IC32	XD657A00	IC	TC74HC14AF-TP1	INVERTER		02
IC34	VN686000	Photo Coupler	PC410T			04
IC36	XS725A00	IC	TC203C760HF-002	SWP30B		19
IC37	XS516A00	IC	UPC2933T-E1	REGULATOR +3.3V		03
IC38	XV077A00	IC	MSM514260C-60JS	DRAM 4M		07
IC42	XS048A00	IC	HD74LVC139FPPEL	DEMULTIPLEXER		03
* IC43	XW333A00	IC	MX23C6410TC-10	MASK ROM 64M		
* IC44	XW335A00	IC	MX23C3210TC-10	MASK ROM 32M		
* IC45	XW334A00	IC	MX23C6410TC-10	MASK ROM 64M		
* IC46	XW336A00	IC	MX23C3210TC-10	MASK ROM 32M		
IC50	XV242A00	IC	TC74VHCT245AF	BUS TRNSCEIVER		03
IC51	XN969A00	IC	TC74VHC244F	BUS BUFFER		03
IC52	XN971A00	IC	TC74VHC273F	D-FF		03
IC54	XM332A00	IC	TC74VHC04F	INVERTER		01
IC55	XN963A00	IC	TC74VHC32F	OR		01
IC56	XP713A00	IC	MM1180ZTT	REGULATOR +3.3V		02
IC60	XM326B00	IC	JG710069	DDE1		04
IC61	XM145A00	IC	UPD63200GS	DAC		07
IC62	XF291A00	IC	UPC4570G2	OP AMP		03
IC63	XM326B00	IC	JG710069	DDE1		04
IC64	XM145A00	IC	UPD63200GS	DAC		07
IC65	XF291A00	IC	UPC4570G2	OP AMP		03
IC66	XU770A00	IC	PCM1800E/2K	A/D CONVERTER		07
IC68	XF291A00	IC	UPC4570G2	OP AMP		03
IC71	XJ598A00	IC	NJM78L05UA	REGULATOR +5V		02
IC72	XN086A00	IC	NJM79L05UA	REGULATOR -5V		02
IC73	XT229A00	IC	TC74VHC00F	NAND		01
IC74	XF291A00	IC	UPC4570G2	OP AMP		03
IC75	XQ173A00	IC	TC7W32FU(TE12L)	OR		01
IC100	XD657A00	IC	TC74HC14AF-TP1	INVERTER		02

\*: New Parts

RANK: Japan only

REF NO.	PART NO.	DESCRIPTION		REMARKS	QTY	RANK
IC101	XT487A00	IC	SN74VHC245F	BUFFER		03
IC102	XW357A00	IC	DS90C402M	LINE RECEIVER		
IC103	XN966A00	IC	TC74VHC157F	MULTIPLEXER		02
L2	VL139800	Coil	BLM31A700SPT 70			01
L3	VR579900	Chip Inductance	BK2125HS601-T			01
-30	VR579900	Chip Inductance	BK2125HS601-T			01
L32	VR579900	Chip Inductance	BK2125HS601-T			01
-35	VR579900	Chip Inductance	BK2125HS601-T			01
L46	VR579900	Chip Inductance	BK2125HS601-T			01
L49	VR579900	Chip Inductance	BK2125HS601-T			01
L52	VR579900	Chip Inductance	BK2125HS601-T			01
-62	VR579900	Chip Inductance	BK2125HS601-T			01
L64	VR579900	Chip Inductance	BK2125HS601-T			01
-67	VR579900	Chip Inductance	BK2125HS601-T			01
L70	VQ724900	Chip Inductance	BK2125HM601-T			01
L102	VR579900	Chip Inductance	BK2125HS601-T			01
L103	VR579900	Chip Inductance	BK2125HS601-T			01
L106	VR579900	Chip Inductance	BK2125HS601-T			01
-112	VR579900	Chip Inductance	BK2125HS601-T			01
L114	VR579900	Chip Inductance	BK2125HS601-T			01
RA1	RE044680	Resistor Array	68X4			01
-15	RE044680	Resistor Array	68X4			01
RA16	RE047100	Resistor Array	10KX4			01
-27	RE047100	Resistor Array	10KX4			01
RA28	RE044680	Resistor Array	68X4			01
RA29	RE047100	Resistor Array	10KX4			01
RA30	RE044680	Resistor Array	68X4			01
RA31	RE047100	Resistor Array	10KX4			01
-33	RE047100	Resistor Array	10KX4			01
RA34	RE047150	Resistor Array	15KX4			01
RA35	RE047150	Resistor Array	15KX4			01
RA36	RE047220	Resistor Array	22KX4			01
RA37	RE047220	Resistor Array	22KX4			01
RA38	RE047150	Resistor Array	15KX4			01
RA39	RE047150	Resistor Array	15KX4			01
RA40	RE047220	Resistor Array	22KX4			01
RA41	RE047100	Resistor Array	10KX4			01
RA42	RE047220	Resistor Array	22KX4			01
RA43	RE047220	Resistor Array	22KX4			01
RA44	RE047100	Resistor Array	10KX4			01
-48	RE047100	Resistor Array	10KX4			01
RA50	RE044680	Resistor Array	68X4			01
RA51	RE044680	Resistor Array	68X4			01
RA60	RE044680	Resistor Array	68X4			01
-74	RE044680	Resistor Array	68X4			01
RA82	RE047100	Resistor Array	10KX4			01
RA83	RE047100	Resistor Array	10KX4			01
RA85	RE048100	Resistor Array	100KX4			01
RA86	RE048100	Resistor Array	100KX4			01
TR1	VD303700	Transistor	2SC3326 A,B TE85R			01
TR2	VJ927200	Transistor	2SA1162 O,Y			01
TR3	VJ927100	Transistor	2SC2712 Y			01
TR4	VJ927200	Transistor	2SA1162 O,Y			01
TR5	VJ927100	Transistor	2SC2712 Y			01
TR6	VJ927100	Transistor	2SC2712 Y			01
TR7	VD303700	Transistor	2SC3326 A,B TE85R			01
-10	VD303700	Transistor	2SC3326 A,B TE85R			01
TR11	VJ927200	Transistor	2SA1162 O,Y			01
TR12	VD303700	Transistor	2SC3326 A,B TE85R			01
X1	VV762900	Quartz Crystal Unit	7M SMD-49			03
X2	VY681200	Ceramic Resonator	8M CSTCC8.00MG			01
X3	VV345500	Quartz Crystal Unit	DOC-49S5			05
ZD1	VU171500	Zener Diode	UDZ 3.6BTE-17 3.6V			01
	UB012390	Monolithic Ceramic Cap.	B 390P 50V K	C:293		01
	UB012470	Monolithic Ceramic Cap.	B 470P 50V K	C:9,289,290		01
	UB012680	Monolithic Ceramic Cap.	B 680P 50V K	C:253,255,260,262,273, 275,279,281		01
	UB013100	Monolithic Ceramic Cap.	B 1000P 50V K	C:121-129		01
	UB013150	Monolithic Ceramic Cap.	B 1500P 50V K	C:294		01
	UB013220	Monolithic Ceramic Cap.	B 2200P 50V K	C:97,99,110		01

\*: New Parts

RANK: Japan only

REF NO.	PART NO.	DESCRIPTION		REMARKS	QTY	RANK
	UB013560	Monolithic Ceramic Cap.	B 5600P 50V K	C:252,259,272,278		01
	UB044100	Monolithic Ceramic Cap.	F 0.01 50V Z	C:98,100,214,215,338		01
	UB044680	Monolithic Ceramic Cap.	F 0.068 50V Z	C:197,198		01
	UB051220	Monolithic Ceramic Cap.	SL 22P 50V J	C:5,6		01
	UB051470	Monolithic Ceramic Cap.	SL 47P 50V J	C:59-85,333		01
	UB051680	Monolithic Ceramic Cap.	SL 68P 50V J	C:256,263,276,282		01
	UB052100	Monolithic Ceramic Cap.	SL 100P 50V J	C:86-93,254,261,274,280,322,327		01
	UB245100	Monolithic Ceramic Cap.	F 0.1 25V Z	C:1,3,8,10-12,14-18,22, 23,25-27,30,33-35, 38-40,42,94-96,101-107, 109,111-113,119,120,138, 140,141,143,145,151-158, 160-166,170-173,177, 210-212,217,218,246, 248, 266,268,283,284,288,302, 303,305,310,311,314,315, 317,318,320,321,325,326, 334-337,600-603		01
	VJ927300	Monolithic Ceramic Cap.	1.5 16V F	C:36,37		01
	UF037100	Electrolytic Cap. (chip)	10 16V	C:2,4,13,19,28,45,108, 142,168,245,258,265, 271,277,287,291,312, 316,329-332		01
	UF037470	Electrolytic Cap. (chip)	47 16V	C:24,41,44,167,247,249, 250,267,269,270,605		01
	UF038100	Electrolytic Cap. (chip)	100 16V	C:219		01
	UF046470	Electrolytic Cap. (chip)	4.7 25V	C:285,286,323		01
	UF066330	Electrolytic Cap. (chip)	3.3 50V	C:29		01
	UF138220	Electrolytic Cap. (chip)	220 16V UUR1C2	C:21,47,117,118		01
	UF147470	Electrolytic Cap. (chip)	47 25V UUR1E4	C:308,309,313		01
	UF148220	Electrolytic Cap. (chip)	220 25V UUR1E2	C:307,328		01
	UR629220	Electrolytic Cap.	2200 10.0V	C:20		01
	VP473600	Electrolytic Cap.	100.00 10.0V	C:139,159,169,175, 194-196,201,604		01
*	VP473700	Electrolytic Cap.	220.00 10.0V	C:142,144,200,202,216		01
	RD250000	Carbon Resistor (chip)	0.0 0.0 J	C:7,115,116,130-137		01
	RD250000	Carbon Resistor (chip)	0.0 0.0 J	R:66,92,141,142,150,151, 155,157,215,261, 272-277,299-302,500-503, 515,533-536		01
	RD153470	Carbon Resistor (chip)	4.7 1/4 J	R:67		01
	RD254100	Carbon Resistor (chip)	10.0 0.1 J	R:121,128		01
	RD254680	Carbon Resistor (chip)	68.0 0.1 J	R:6-8,97,98,143,144		01
	RD255100	Carbon Resistor (chip)	100.0 0.1 J	R:62,100,101,116,136, 148,230,269-271,298,506, 507,514		01
	RD255120	Carbon Resistor (chip)	120.0 0.1 J	R:258		01
	RD255150	Carbon Resistor (chip)	150.0 0.1 J	R:235		01
	RD255180	Carbon Resistor (chip)	180.0 0.1 J	R:56-61,63-65,96,114,115, 117		01
	RD255220	Carbon Resistor (chip)	220.0 0.1 J	R:5,26-29,124		01
	RD255470	Carbon Resistor (chip)	470.0 1/4 J	R:231,232,304		01
	RD255680	Carbon Resistor (chip)	680.0 0.1 J	R:2,35,259,268		01
	RD256100	Carbon Resistor (chip)	1.0K 0.1 J	R:18-25,30,31,70,73,76, 79,86,102,103,123,195, 200,205,210,227,245, 255,257,290-293		01
	RD256330	Carbon Resistor (chip)	3.3K 0.1 J	R:4,39,252		01
	RD256470	Carbon Resistor (chip)	4.7K 0.1 J	R:250,251,306,508,510, 512,513		01
	RD256680	Carbon Resistor (chip)	6.8K 0.1 J	R:196,197,201,202,206, 207,211,212,254		01
	RD257100	Carbon Resistor (chip)	10.0K 0.1 J	R:1,10,11,13,14,32-34,36, 38,42,45-49,53,54,80, 88-90,99,104,118-120, 122,129,130,140,145, 152,160,161,164,190, 191,198,199,203, 204, 208,209,213,214, 217-219,225,228,234,		01

\*: New Parts

RANK: Japan only

REF NO.	PART NO.	DESCRIPTION		REMARKS	QTY	RANK
				237-240,242,246-248, 256,266,294-297,305, 509,511,529-530		
	RD257220	Carbon Resistor (chip)	22.0K 0.1 J	R:16,17,87		01
	RD257330	Carbon Resistor (chip)	33.0K 0.1 J	R:193,253		01
	RD257470	Carbon Resistor (chip)	47.0K 0.1 J	R:40,41,243		01
	RD257680	Carbon Resistor (chip)	68.0K 0.1 J	R:69,75		01
	RD258100	Carbon Resistor (chip)	100.0K 0.1 J	R:12,50,51,71,72,77,78, 229,233,241,262-265, 286-289,303,307		01
	RD258220	Carbon Resistor (chip)	220.0K 0.1 J	R:68,74,236		01
	RD258470	Carbon Resistor (chip)	470.0K 0.1 J	R:94,95,162,163,165		01
	RD258680	Carbon Resistor (chip)	680.0K 0.1 J	R:37		01
	VI192500	Carbon Resistor (chip)	100.0 1/10 D	R:405,505		01
	VI197400	Carbon Resistor (chip)	10.0K 1/10 D	R:44,45		01
*	V3577000	Circuit Board	JK	(XV914C0)		
	VA078900	Jumper Wire	0.55			
20	--	Angle	JKAD	(V388510)		
30	--	Angle	JKBC	(V388520)		
40	VU931500	Holder, Jack				03
50	V2192700	VR Shield				04
60	CB069250	Cord Holder	BK-1			01
70	--	Jack Shield Plate		(V474230)		
C62	VA078900	Jumper Wire	0.55			
CN1	VB390100	Connector Base Post	5P TE			01
CN2	VB390100	Connector Base Post	5P TE			01
CN3	LB918050	Base Post Connector	5P TE			01
CN4	VB390400	Connector Base Post	8P TE			01
CN5	VF283300	Connector Base Post	15P TE			01
CN6	VB390100	Connector Base Post	5P TE			01
CN7	VB390500	Connector Base Post	9P TE			03
D1	VB941200	Diode	1SS133,1SS176			01
-4	VB941200	Diode	1SS133,1SS176			01
EM1	FZ006970	LC Filter	LS MT Y223NB			02
-3	FZ006970	LC Filter	LS MT Y223NB			02
IC1	XQ824A00	IC	NJM4556AD	OP AMP		02
IC2	XC520A00	IC	UPC4570C	OP AMP		01
-4	XC520A00	IC	UPC4570C	OP AMP		01
J1	VA078900	Jumper Wire	0.55			
J2	FG644100	Ceramic Capacitor-F	0.01 50V Z			01
-5	FG644100	Ceramic Capacitor-F	0.01 50V Z			01
J7	VA078900	Jumper Wire	0.55			
-11	VA078900	Jumper Wire	0.55			
J12	VI307100	Monolithic Cera. Cap.	0.1 50V Z T=52			
J13	VI307100	Monolithic Cera. Cap.	0.1 50V Z T=52			
J16	VI307100	Monolithic Cera. Cap.	0.1 50V Z T=52			
J17	VA078900	Jumper Wire	0.55			
J19	VA078900	Jumper Wire	0.55			
J20	FG644100	Ceramic Capacitor-F	0.01 50V Z			01
J21	VA078900	Jumper Wire	0.55			
J22	FG644100	Ceramic Capacitor-F	0.01 50V Z			01
J23	VA078900	Jumper Wire	0.55			
-25	VA078900	Jumper Wire	0.55			
JK1	VM576000	Phone Jack	YKB21-5074	PHONES		02
JK2	VB312600	Phone Jack	YKB21-5012	OUTPUT(L/MONO,R)		02
-5	VB312600	Phone Jack	YKB21-5012	INDIVIDUAL OUT (1,2)		02
JK6	V2349300	Phone Jack	HLJ4416 JACK	AD INPUT		03
JK8	VJ144000	DIN Connector	3 DIN YKF51-5041	MIDI(IN,OUT,THRU)		04
JK9	VV269500	DIN Connector	DIN 8P MD-S813	TO HOST		03
JK10	VB312600	Phone Jack	YKB21-5012	FOOT SWITCH		02
JK11	VB312600	Phone Jack	YKB21-5012	SUSTAIN		02
JK12	VM576000	Phone Jack	YKB21-5074	FOOT CONTROLLER		02
JK13	VM576000	Phone Jack	YKB21-5074	FOOT VOLUME		02
JK14	VM552100	Phone Jack	ST H5J0912-01-01	BREATH		02
L1	VB835000	Coil	FL5R200QNT			01
-7	VB835000	Coil	FL5R200QNT			01
L8	VA078900	Jumper Wire	0.55			
L9	VB835000	Coil	FL5R200QNT			01
-22	VB835000	Coil	FL5R200QNT			01

\*: New Parts

RANK: Japan only

REF NO.	PART NO.	DESCRIPTION		REMARKS	QTY	RANK
L24	VB835000	Coil	FL5R200QNT			01
-32	VB835000	Coil	FL5R200QNT			01
L33	--	Connector Assembly	JKB-4	(VK26370)		
R84	VA078900	Jumper Wire	0.55			
SW1	VQ665200	Slide Switch	SSSF144-S06N-0	HOST SELECT		03
TR2	IC287820	Transistor	2SC2878 A,B			01
TR4	IC287820	Transistor	2SC2878 A,B			01
-9	IC287820	Transistor	2SC2878 A,B			01
VR1	VK312300	Rotary Variable Resistor	RK09K1110-10KA			01
WJ1	--	GND Wire	JK L=80	(V397890)		
	FG612220	Ceramic Capacitor-B	220P 50V K	C:32		01
	FG612470	Ceramic Capacitor-B	470P 50V K	C:13,18,23,28		01
	FG613100	Ceramic Capacitor-B	1000P 50V K	C:3,8,15,20,25,30		01
	FG613150	Ceramic Capacitor-B	1500P 50V K	C:11,16,21,26		01
	FG644100	Ceramic Capacitor-F	0.01 50V Z	C:5,10,37-45,47-56		01
	FG652100	Ceramic Capacitor-SL	100P 50V J	C:1,2,6,7,12,17,22,27,31, 33,34,46,65		01
	UI538100	Electrolytic Cap.	100.00 16.0V	C:4,9		01
	UN837100	Electrolytic Cap.-BP	10.00 16.0V	C:35		01
	UR837220	Electrolytic Cap.	22.00 16.0V	C:14,19,24,29,36		01
	UR847100	Electrolytic Cap.	10.00 25.0V	C:57		01
	UR848100	Electrolytic Cap.	100.00 25.0V	C:58-61		01
	HF454560	Carbon Resistor	56.0 1/4 J	R:59,60		01
	HF455100	Carbon Resistor	100.0 1/4 J	R:7,16,19,27,35,43,52,56, 80,90,91		01
	HF455220	Carbon Resistor	220.0 1/4 J	R:5,14,69,72		01
	HF455470	Carbon Resistor	470.0 1/4 J	R:75		01
	HF456100	Carbon Resistor	1.0K 1/4 J	R:25,33,41,49,58,61,62, 71,74,76		01
	HF456180	Carbon Resistor	1.8K 1/4 J	R:77		01
	HF456270	Carbon Resistor	2.7K 1/4 J	R:20,28,36,44,70,73		01
	HF456470	Carbon Resistor	4.7K 1/4 J	R:63,66,78		01
	HF457100	Carbon Resistor	10.0K 1/4 J	R:1,3,4,9,10,12,13,18,21, 26,29,34,37,42,45,50, 55,81,88,89		01
	HF457120	Carbon Resistor	12.0K 1/4 J	R:23,31,39,47		01
	HF457220	Carbon Resistor	22.0K 1/4 J	R:64,67		01
	HF457470	Carbon Resistor	47.0K 1/4 J	R:6,15,22,24,30,32,38,40, 46,48,53,54,82		01
	HF458100	Carbon Resistor	100.0K 1/4 J	R:65,68		01
	HF458220	Carbon Resistor	220.0K 1/4 J	R:79		01
	HF459100	Carbon Resistor	1.0M 1/4 J	R:51,87		01
	VR659700	Circuit Board	PC	(XL057A0)		10
CN1	LB918080	Base Post Connector	8P TE			01
CN2	VR629000	Connector Assembly	PC-CONNECT			06
D1	VB941200	Diode	1SS133,1SS176			01
D2	VB941200	Diode	1SS133,1SS176			01
IC1	XQ824A00	IC	NJM4556AD	OP AMP		02
VR1	VR661500	Trimmer Potentiometer	B 50.0K 3P KVS			01
VR2	VR661600	Trimmer Potentiometer	B 100.0K 3P KVS			01
ZD1	VQ451000	Zener Diode	MTZJ5.1B 5.1V			01
	VI307100	Monolithic Ceramic Cap.	0.1 50V Z T=52			01
	HF755150	Carbon Resistor	150.0 1/4 J			01
	HF755180	Carbon Resistor	180.0 1/4 J			01
	HF755680	Carbon Resistor	680.0 1/4 J			01
	HF756100	Carbon Resistor	1.0K 1/4 J			01
	HF756120	Carbon Resistor	1.2K 1/4 J			01
	HF756270	Carbon Resistor	2.7K 1/4 J			01
	HF756560	Carbon Resistor	5.6K 1/4 J			01
	HF757560	Carbon Resistor	56.0K 1/4 J			01
*	V3576600	Circuit Board	PN	(XV912B0)		
	V3576700	Circuit Board	RV	(XV912B0)		
CN4	VB858200	Connector Base Post	3P SE			01
CN5	VB858900	Connector Base Post	10P SE			01
CN6	VB858700	Connector Base Post	8P SE			01
CN7	VB858600	Connector Base Post	7P SE			01
CN8	VB858200	Connector Base Post	3P SE			01
CN9	VB858400	Connector Base Post	5P SE			01

\*: New Parts

RANK: Japan only

REF NO.	PART NO.	DESCRIPTION		REMARKS	QTY	RANK
CR1	VE222400	Ceramic Resonator	8 MHZ EFO-FC8004A4			03
D1	VD631600	Diode	1SS133,176,HSS104			01
-47	VD631600	Diode	1SS133,176,HSS104			01
* D48	V4607200	Shot Key Diode	1FWJ43N			
* D49	V4607200	Shot Key Diode	1FWJ43N			
EC1	V4434100	Rotary Encoder	REB161(9*5)PVB17.5	PAGE		
* EC2	V4434100	Rotary Encoder	REB161(9*5)PVB17.5	DATA		
EM1	VD542700	EMI Filter	DSS306-93F223Z1			01
IC1	XS711200	IC	MN101C027YB	CPU		06
IC2	VH885000	Transistor Array	TD62785P SOURCE			04
IC3	VJ041400	Transistor Array	TD62381P			04
IC4	XT744A00	IC	TC74VHCT245AFT	BUFFER		07
J	VA078900	Jumper Wire	0.55			
J3	VA078900	Jumper Wire	0.55			
-9	VA078900	Jumper Wire	0.55			
LD1	VS704700	LED	SEL2210W TP8 RE	EF BYPASS,MASTER KEYBOARD		01
-10	VS704700	LED	SEL2210W TP8 RE	VOICE,PERFORM,UTILITY, CARD,SEQ PLAY,EDIT,JOB, QUICK ACCESS		01
R10	VA078900	Jumper Wire	0.55			
RA1	VF771900	Resistor Array	RGLE8X103J			01
SW1	VZ085500	Tact Switch	SKQNAM004A	SHIFT,EF BYPASS, MASTER KEYBOARD,EXIT, ENTER,DEC/NO,DEC/YES, VOICE,PERFORM,STORE, UTILITY,CARD,SEQ PLAY, EDIT,JOB,PLAY/STOP,PRE1, PRE2,INT,EXT,PLG1,PLG2, QUICK ACCESS,A-H,1-16 ASSIGNABLE KNOB(A***2)		01
-47	VZ085500	Tact Switch	SKQNAM004A			01
* VR6	V4102900	Rotary Variable Resistor	B 10.0K RK11K114			
* -10	V4102900	Rotary Variable Resistor	B 10.0K RK11K114			
	FG644100	Ceramic Capacitor-F	0.01 50V Z	C:4,8-11		01
	VB639900	Electrolytic Cap.	4.7 50.0V	C:5		
	V5220100	Electrolytic Cap.	220.00 10.0V	C:1-3,7,12		
	HF455100	Carbon Resistor	100.0 1/4 J	R:1-5		01
	HF456100	Carbon Resistor	1.0K 1/4 J	R:6,7		01
	HF457100	Carbon Resistor	10.0K 1/4 J	R:8-10		01
*	V3577200	Circuit Board	SM	(XV915C0)		
	VA078900	Jumper Wire	0.55			
CN1	--	Connector , FFC	52793 26P SE	(V457490)		
CN2	V3962800	Connector	SN015	CARD		
	RD255100	Carbon Resistor (chip)	100.0 0.1 J	R:4-21		01
	RD256100	Carbon Resistor (chip)	1.0K 0.1 J	R:3		01
	RD257100	Carbon Resistor (chip)	10.0K 0.1 J	R:2		01
*	V3576900	Circuit Board	SV	(XV913B0)		
CN1	VB858300	Connector Base Post	4P SE			01
CN2	VB858400	Connector Base Post	5P SE			01
CN3	VB858500	Connector Base Post	6P SE			01
J	VA078900	Jumper Wire	0.55			
VR1	VL445700	Slide Variable Resistor	A10K EWA-NNDCH1A14	VOLUME		03
VR2	VC250600	Slide Variable Resistor	B 10.0K EWA-NFOC	CONTROL SLIDER(1-4)		03
-5	VC250600	Slide Variable Resistor	B 10.0K EWA-NFOC			03
	VN103500	Lithium Battery	CR2032			03
	VT119800	AC Cord	J 7A 125V 3P 2.5M	J		06
	VB927800	AC Cord	CSA	U		08
	VB928000	AC Cord	VDE	E		08
	VP204400	AC Cord	BS	B		10
	VQ240200	Adapter, AC Cord	KPR-24	J		06
*	V3484100	Power Supply Unit	J,U,C	J,U		
*	V3484200	Power Supply Unit	E B A	E,B		
	VP691000	Push Switch	SDDL B1			03
	VL785200	AC-IN Connector	ACINLET AC-P01CR02			03
	VQ764300	Rotary Variable Resistor	RK1631110T54A 10K			03
	VN245400	Rotary Variable Resistor	10.0K K161100S			03
	VQ988300	PC Sensor	MK-AE88TO-1			19
	VN474300	Rubber Contact	BE			11

\*: New Parts

RANK: Japan only